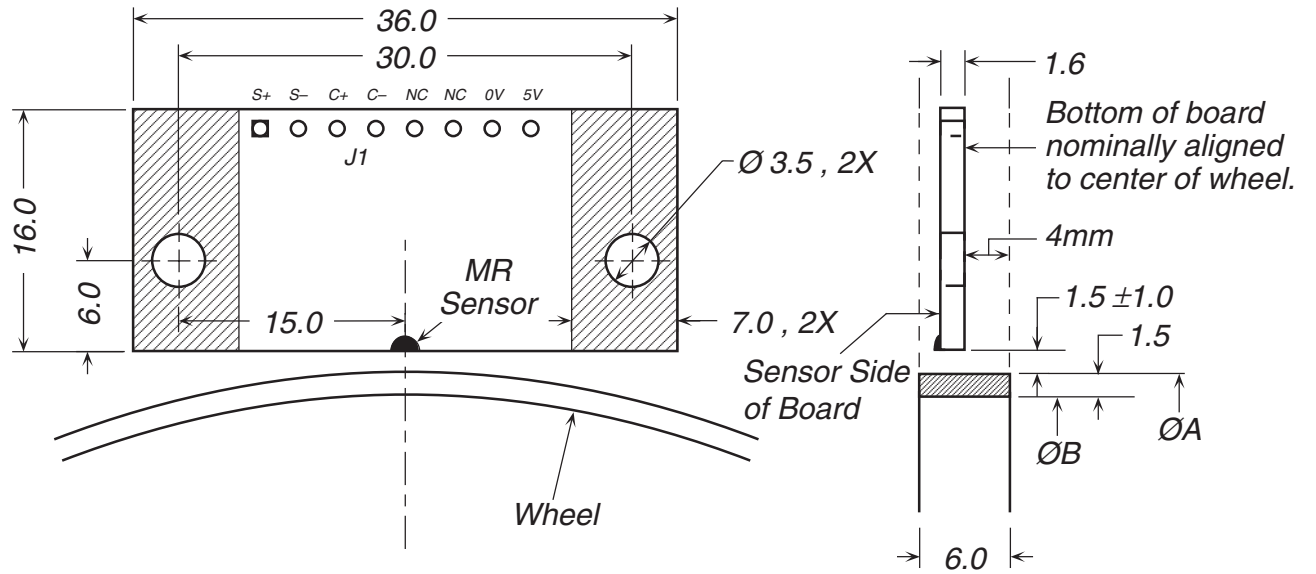
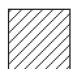



Wheel Reference Specifications

Tensile Strength	480	kg/cm ² (ASTM D-638)
Flexural Strength	840	kg/cm ² (ASTM D-790)
Rockwell Hardness	R110	ASTM D-785



 Sensor mounting area.
Free of components
and traces (both sides).

REFERENCE		MATERIAL <i>As shown.</i>		 <small>ADMOTEC INC., LEBANON NEW HAMPSHIRE USA</small>	
REVISIONS		HEAT TREAT <i>Not applicable.</i>			
DIMENSIONS IN MILLIMETERS TOLERANCES UNLESS OTHERWISE SPECIFIED		FINISH <i>Not applicable.</i>		KAL2200 Type I Encoder Outline & Mounting	
.X: ± 0.10 .XX: ± 0.05 ANGLES: ± 0°30'		DRAWN <i>D Robinson</i> DATE <i>7 May 07</i>			
THIS DRAWING IS THE PROPERTY OF ADMOTEC INC. IT MAY NOT BE COPIED, USED OR DIS- CLOSED FOR ANY PURPOSE WITHOUT WRITTEN PERMISSION BY ADMOTEC INC.		CHECKED DATE		7310-121 REVISION —	
		APPROVED DATE		SCALE 2:1 SHEET 1 OF 1	