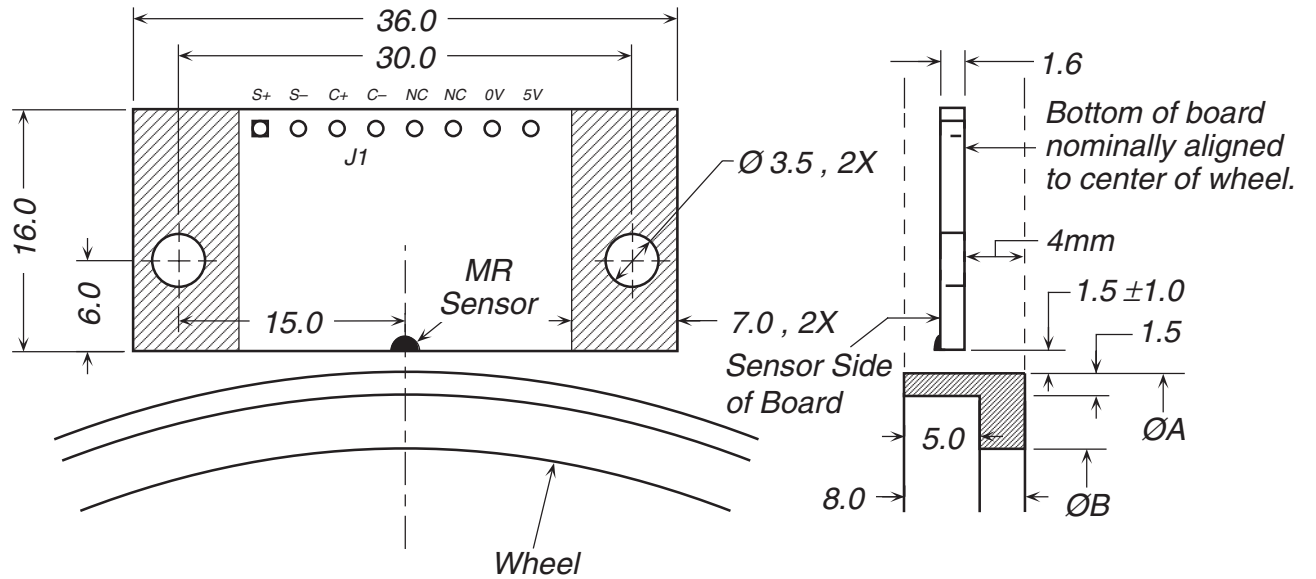
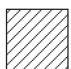



Wheel Reference Specifications

Tensile Strength	480	kg/cm ² (ASTM D-638)
Flexural Strength	840	kg/cm ² (ASTM D-790)
Rockwell Hardness	R110	ASTM D-785



 *Sensor mounting area.
Free of components
and traces (both sides).*

REFERENCE		MATERIAL	As shown.		 <small>ADMOTEC INC., LEBANON NEW HAMPSHIRE USA</small>		
REVISIONS DIMENSIONS IN MILLIMETERS TOLERANCES UNLESS OTHERWISE SPECIFIED .X: ± 0.10 .XX: ± 0.05 ANGLES: ± 0°30'		HEAT TREAT	Not applicable.				
THIS DRAWING IS THE PROPERTY OF ADMOTEC INC. IT MAY NOT BE COPIED, USED OR DIS- CLOSED FOR ANY PURPOSE WITHOUT WRITTEN PERMISSION BY ADMOTEC INC.		FINISH	Not applicable.		KAL2200 Type II Encoder Outline & Mounting		
		DRAWN	D Robinson	DATE	7 May 07	DRAWING SIZE A	
		CHECKED		DATE			7310-122 SCALE 2:1
		APPROVED		DATE			