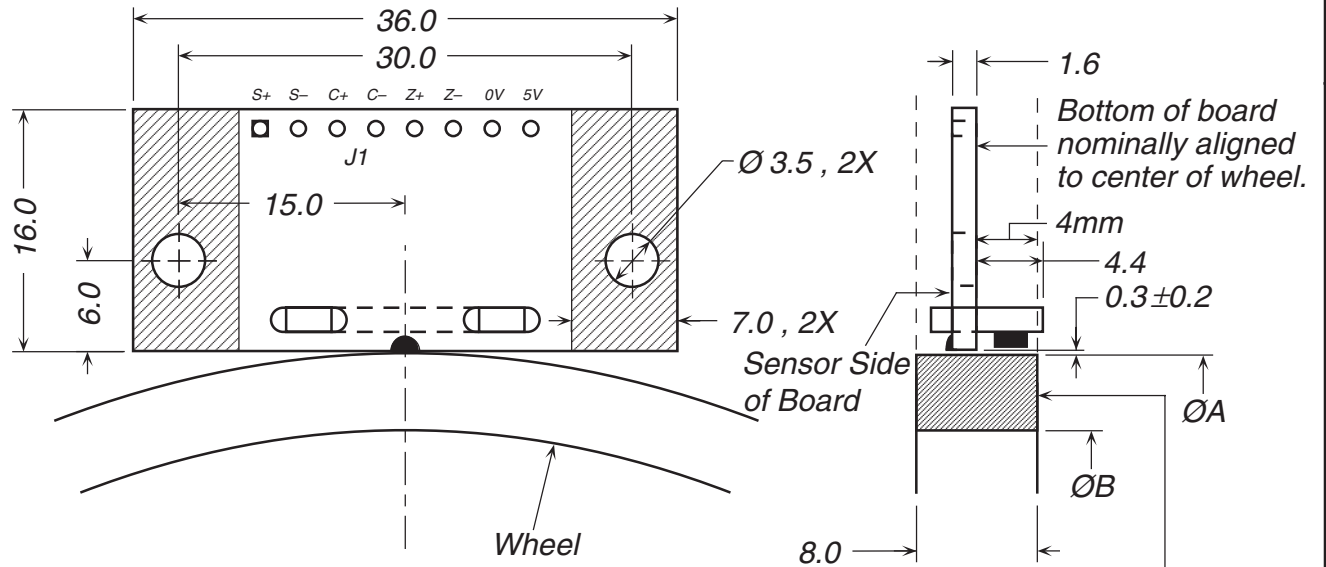
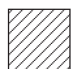



Wheel Reference Specifications

| | | |
|-------------------|-------------|---------------------------------|
| Tensile Strength | 480 | kg/cm ² (ASTM D-638) |
| Flexural Strength | 840 | kg/cm ² (ASTM D-790) |
| Rockwell Hardness | R110 | ASTM D-785 |



 *Sensor mounting area.
Free of components
and traces (both sides).*

| | | | | | | |
|---|--|--------------|-----------------|------|---|-----------|
| REFERENCE | | MATERIAL | As shown. | |  <small>ADMOTEC INC., LEBANON NEW HAMPSHIRE USA</small> | |
| REVISIONS DIMENSIONS IN MILLIMETERS TOLERANCES UNLESS OTHERWISE SPECIFIED .X: ± 0.10 .XX: ± 0.05 ANGLES: ± 0°30' | | HEAT TREAT | Not applicable. | | | |
| THIS DRAWING IS THE PROPERTY OF ADMOTEC INC. IT MAY NOT BE COPIED, USED OR DIS- CLOSED FOR ANY PURPOSE WITHOUT WRITTEN PERMISSION BY ADMOTEC INC. | | FINISH | Not applicable. | | KAS2300 Encoder Outline & Mounting 7310-230 SCALE 2:1 | |
| | | DRAWN | D Robinson | DATE | | 15 May 07 |
| | | CHECKED | | DATE | | |
| | | APPROVED | | DATE | | |
| | | DRAWING SIZE | A | | REVISION | |
| | | | | | — | |
| | | | | | SHEET 1 OF 1 | |