


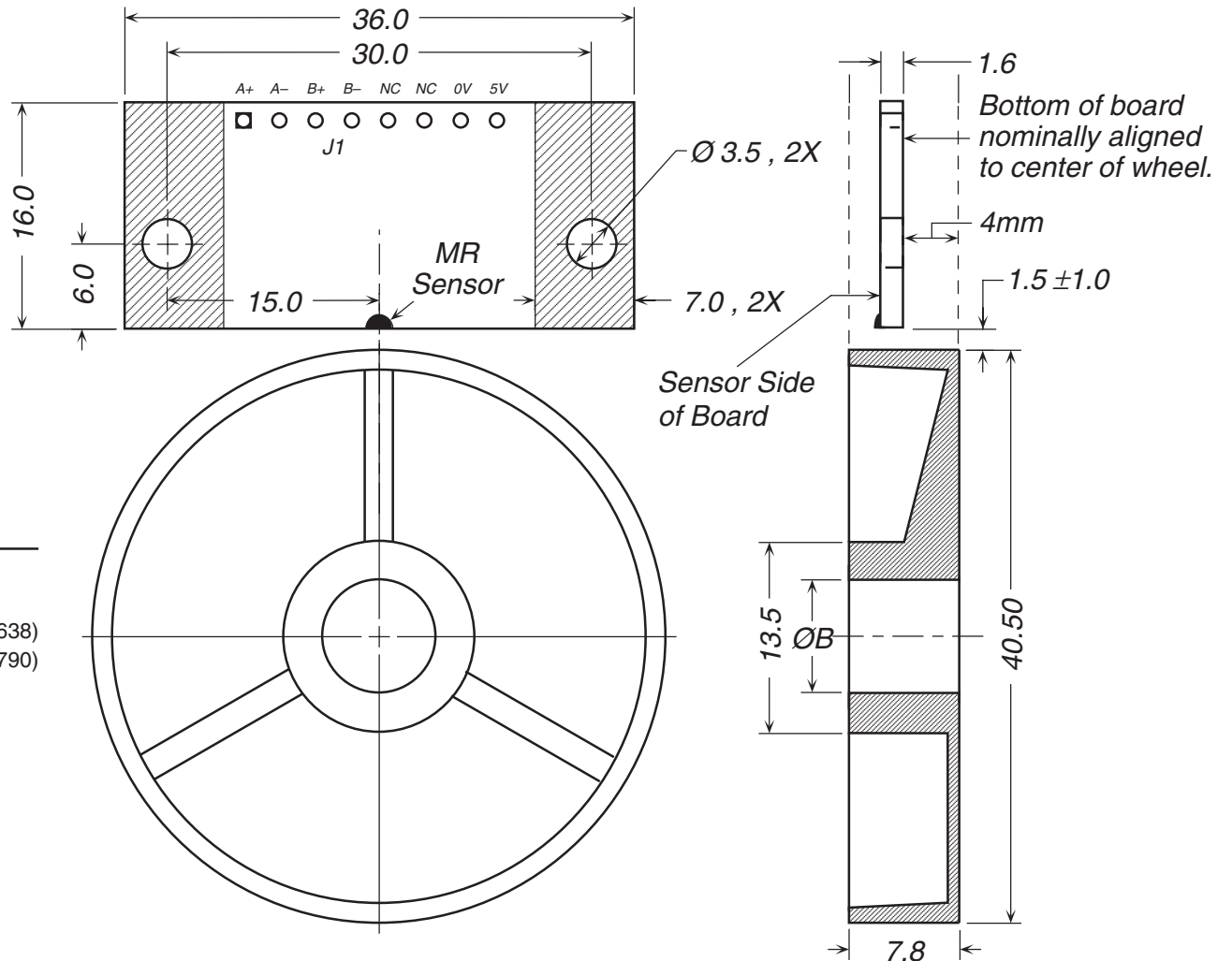
Wheel ID Table (ØB)

KXL1241-xxxx-	Nominal ID (mm)	ID Tolerance ISO	ID Tolerance ±mm
06	6.00	H7	+0.01, -0.00
08	8.00	H7	+0.01, -0.00
10	10.00	H7	+0.01, -0.00
25	6.35	—	-0.01, -0.03
31	7.94	—	-0.02, -0.03
38	9.53	—	-0.02, -0.03

Wheel Reference Specifications

Mass	8	grams
Inertia	9	gram cm ²
Tensile Strength	480	kg/cm ² (ASTM D-638)
Flexural Strength	840	kg/cm ² (ASTM D-790)
Rockwell Hardness	R110	ASTM D-785

 Sensor mounting area. Free of components and traces (both sides).



REFERENCE		MATERIAL		admotec	
REVISIONS		As shown.		ADMOTEC INC., LEBANON NEW HAMPSHIRE USA	
DIMENSIONS IN MILLIMETERS TOLERANCES UNLESS OTHERWISE SPECIFIED		HEAT TREAT		KXL1241 Encoder Outline & Mounting	
.X: ± 0.10		Not applicable.			
.XX: ± 0.05		FINISH		7310-314	
ANGLES: ± 0°30'		Not applicable.		REVISION	
THIS DRAWING IS THE PROPERTY OF ADMOTEC INC. IT MAY NOT BE COPIED, USED OR DISCLOSED FOR ANY PURPOSE WITHOUT WRITTEN PERMISSION BY ADMOTEC INC.		DRAWN	D Robinson	DATE	4 May 07
		CHECKED		DATE	
		APPROVED		DATE	
		DRAWING SIZE		SCALE 2:1	
		A		SHEET 1 OF 1	