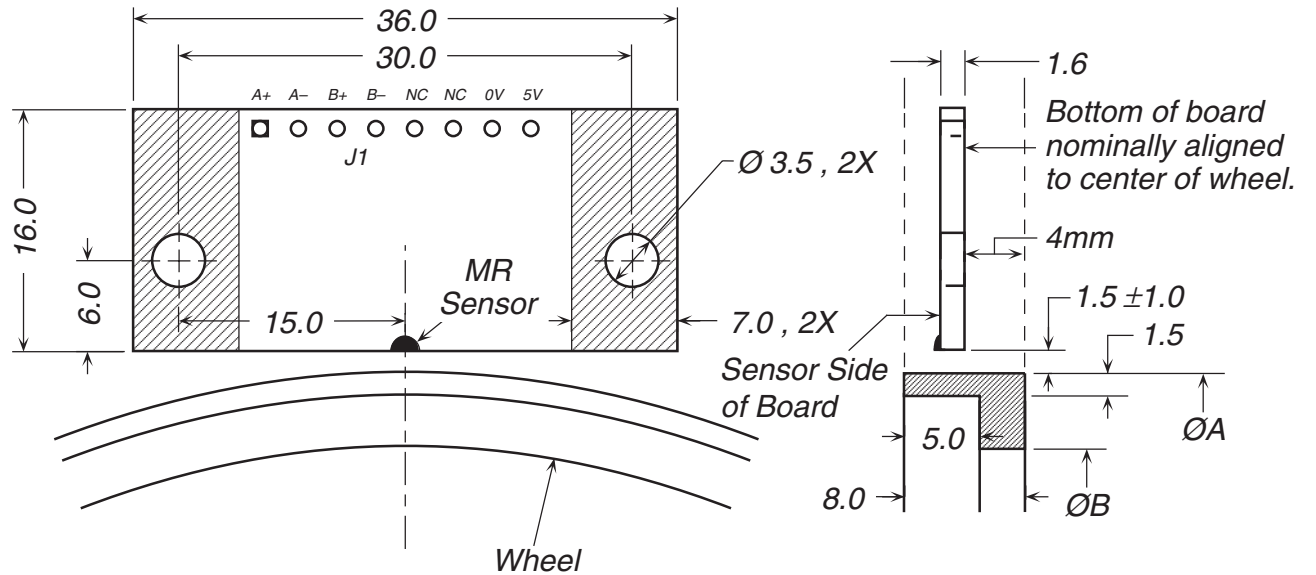
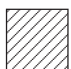



Wheel Reference Specifications

Tensile Strength	480	kg/cm ² (ASTM D-638)
Flexural Strength	840	kg/cm ² (ASTM D-790)
Rockwell Hardness	R110	ASTM D-785



 Sensor mounting area.
Free of components
and traces (both sides).

REFERENCE		MATERIAL	As shown.		 <small>ADMOTEC INC., LEBANON NEW HAMPSHIRE USA</small>
REVISIONS	DIMENSIONS IN MILLIMETERS TOLERANCES UNLESS OTHERWISE SPECIFIED	HEAT TREAT	Not applicable.		
	.X: ± 0.10	FINISH	Not applicable.		KXL2200 Type II Encoder Outline & Mounting
	.XX: ± 0.05				
	ANGLES: ± 0°30'				DRAWING SIZE A
	THIS DRAWING IS THE PROPERTY OF ADMOTEC INC. IT MAY NOT BE COPIED, USED OR DIS- CLOSED FOR ANY PURPOSE WITHOUT WRITTEN PERMISSION BY ADMOTEC INC.	DRAWN	D Robinson	DATE	
		CHECKED		DATE	
		APPROVED		DATE	
					7310-322
					REVISION —
					SCALE 2:1
					SHEET 1 OF 1