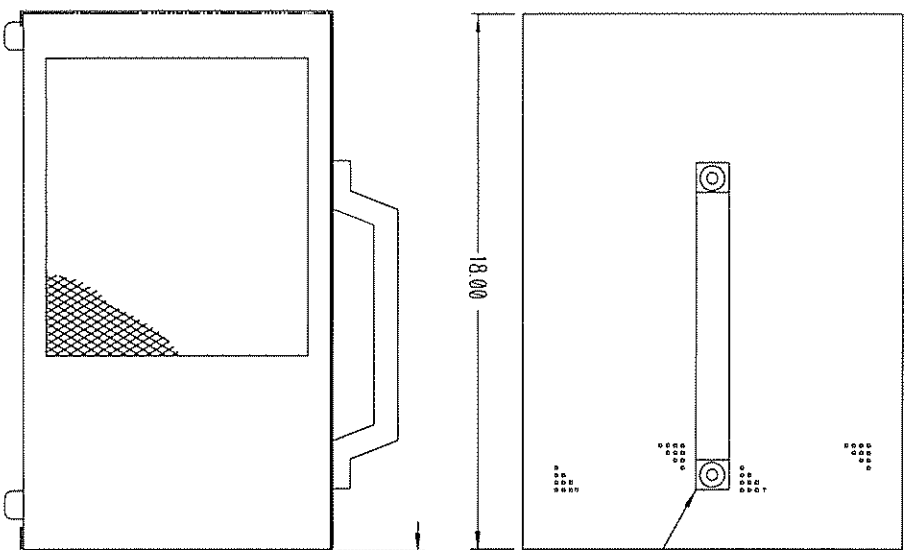
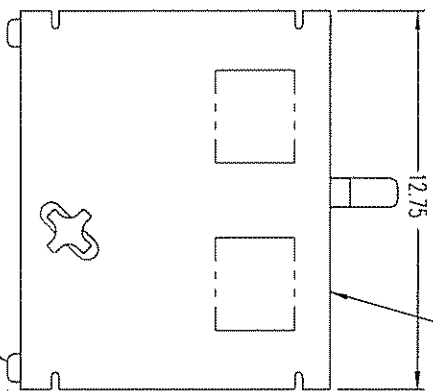


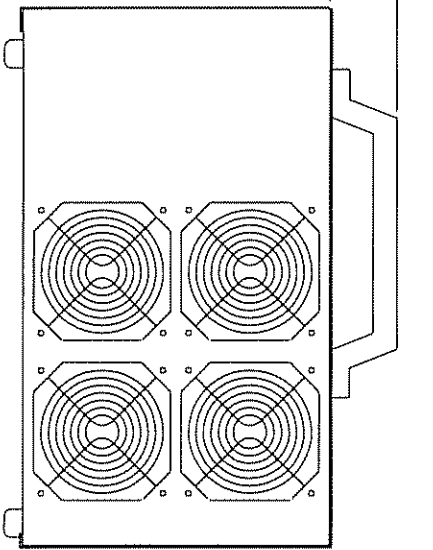
**AVTRON MODEL K492
PORTABLE RESISTIVE LOAD BANK
OUTLINE DRAWING SET**



EXHAUST SIDE



INTAKE SIDE



FOR APPLICATION ENGINEERING USAGE ONLY

2. ALL DIMENSIONS ARE APPROX.
1. WEIGHT: 30LBS
NOTES:

ECN NO.	REV LET.	CHANGE	CHK'D	CHK'D
	A	REVISED PER ECN AB376	DAN BOHRER	DAN BOHRER

DRAWN	DATE	CHECKED	SCALE
SCHAEFER	6/26/92	DAN BOHRER	1/4

AVTRON MANUFACTURING, INC.
PORTABLE LOAD BANK

DRAWING NUMBER
SB2209
OUTLINE DRAWING