



6255 HALLE DRIVE, CLEVELAND, OH, U.S.A. 44125
(1) 216-573-7600 • FAX: (1) 216-573-5953

RESISTIVE LOAD BANK

1000 AMP

- **Typical Designs Available Are:**

900 or 1000 amps, 52 volt DC load,
or 1000 amp 28 volt DC load

- **Custom Designs Also Available**

- **Cooling Air Loss Protection**

- **Mobile**

- **Master Load Switch**

- **Meters Indicate Load Status**

Ammeter and voltmeter available



MODEL K571

ISO9001
QUALITY SYSTEM CERTIFIED

T

he Avtron Model K571 is designed for indoor operation and is suitable for testing DC generating systems, converters, transformer-rectifier units, battery systems, and controls. The K571 is equipped with two fixed and two lockable swivel casters which allow the unit to be moved easily from one test site to another.

Electrical connections are simplified by the easy access terminals located behind the access door on the front of the unit. A safety interlock switch disables load application if the access door is opened for operator safety.

This load bank is completely self-contained with a blower included for cooling the load resistor elements. Control and blower power is derived from an externally supplied 120 VAC, single phase, 60 Hz source. A line cord is included for convenient power connection.

The control panel is equipped with carefully arranged toggle switches and status indicators. Large, easy to read voltmeter and ammeter are available mounted on the control panel to provide accurate measurements during testing.

The K571 is a rugged, easy to use, indoor DC load bank that is designed to provide years of reliable operation in industrial environments.

The K571 is used in laboratory and industrial environments to test batteries, transformer-rectifiers and other DC power sources.

Avtron's extensive line of Load Bank and Industrial Resistor Products are solid performers used throughout the world.

For total technical support or additional information, please contact Avtron at (216) 573-7600 or LBsales@avtron.com

K571 LOAD CAPACITY TABLE

Volts DC	Amps	Load Steps (Amps)
52	900	5, 10, 10, 25, 50, 100, 100, 200, 400
	1000	50, 50, 100, 100, 100, 200, 200, 200
28	1000	5, 10, 10, 25, 50, 100, 200, 200, 400

K571 SPECIFICATIONS

RELIABILITY: The rugged load resistor assemblies in the Model K571 are cooled by a reliable heavy duty industrial blower. Avtron's special air switch protects load resistor elements against loss of cooling air. Full rated contactors are used for switching all load steps.

INDICATOR LIGHTS: BLOWER ON and AIR FAILURE.

SWITCHES: ON-OFF load control for each load step. MASTER LOAD ON-OFF control for total load (all selected steps).

METERS (OPTIONAL): Voltmeter 2% accuracy, indicates applied voltage. Ammeter 0-1000 Amps, 2% accuracy, indicates total load current.

COOLING: Self-contained 0.5 HP blower, 120 V, single phase, 60 Hz.

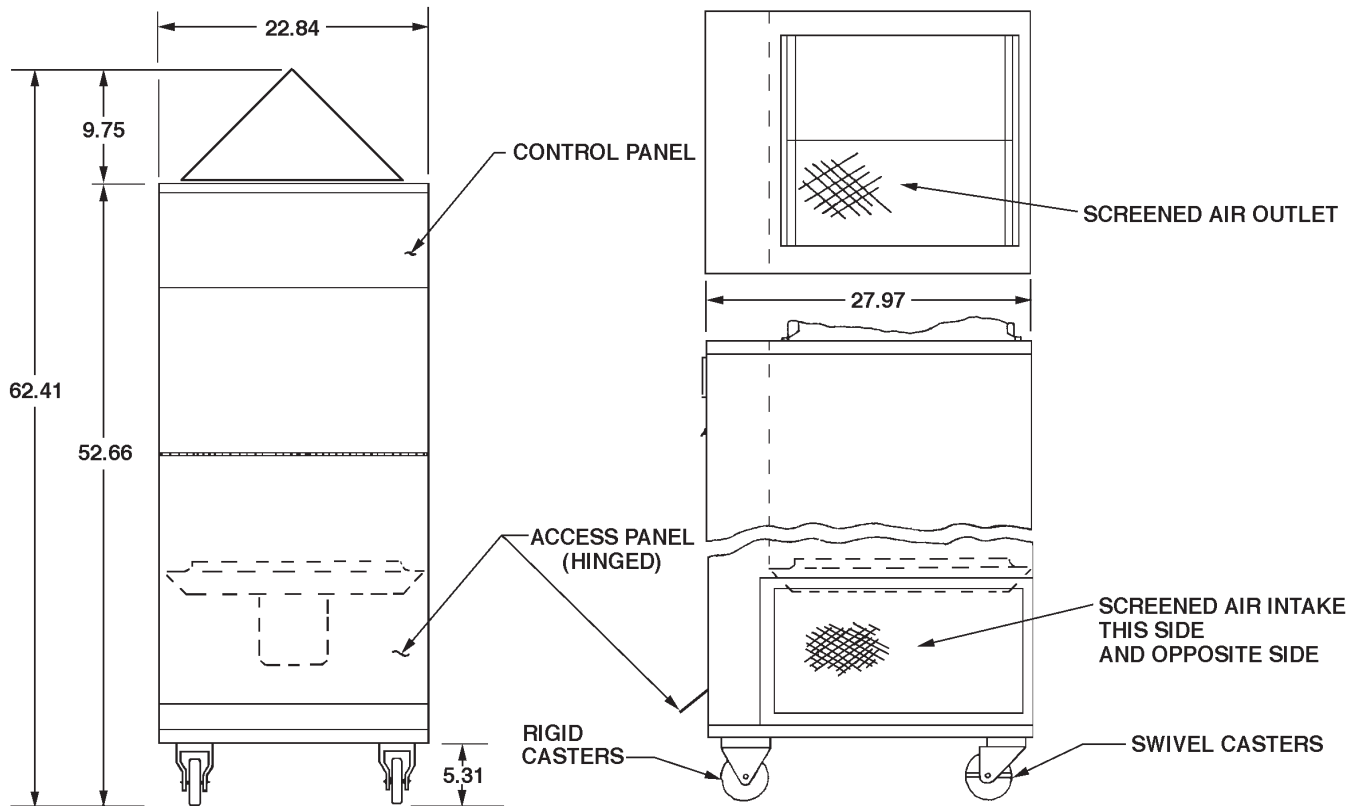
CONTROL POWER: 120 volt, single phase, 60 Hz.

MAXIMUM LOAD RATING: 55 KW (based on actual voltage and current ratings).

MOBILITY: 4 rubber casters, 2 rigid, 2 swivel with foot-operated locks.

ACCESSORIES: Optional canvas protective cover and multi-conductor flexible load cables available.

Other designs available upon request.



WEIGHT: Approximately 295 Lbs.



All dimensions are in inches.
Specifications subject to change without notice.
Printed in U.S.A. Rev. C