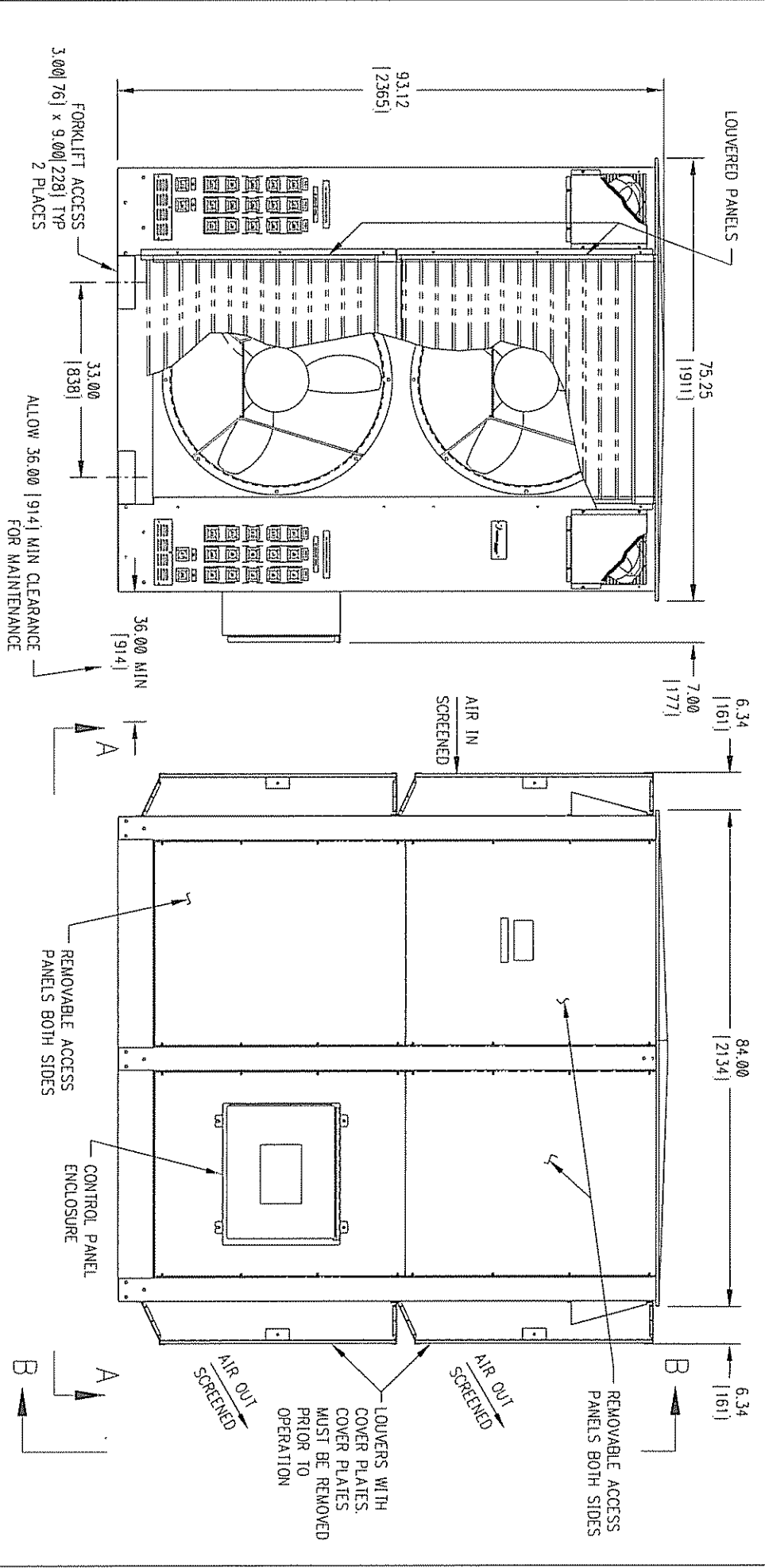


**AVTRON MODEL K580 HC  
OUTDOOR TRAILER/TRAILER READY LOAD BANK  
OUTLINE DRAWING SET**



4. ALL CAM LOCK CONNECTIONS ON BOTH SIDES MUST BE CONNECTED BEFORE APPLYING LOAD.
3. AS A GENERAL GUIDE, THE MINIMUM CLEARANCE REQUIRED FROM ANY OBSTRUCTION IS:
  - 6 FT (1829) ON INLET
  - 3 FT (914) ON SIDES
  - 8 FT (2438) ON EXHAUST
2. ALL DIMENSIONS ARE APPROX INCHES & (METRIC)
1. WEIGHT: APPROX 3600 LBS (1633) KG

THIS DOCUMENT CONTAINS PROPRIETARY INFORMATION OF AVTRON MFG. INC. AND MAY NOT BE DISCLOSED TO OTHERS OR USED FOR MANUFACTURING PURPOSES WITHOUT THE WRITTEN CONSENT OF AVTRON MFG.

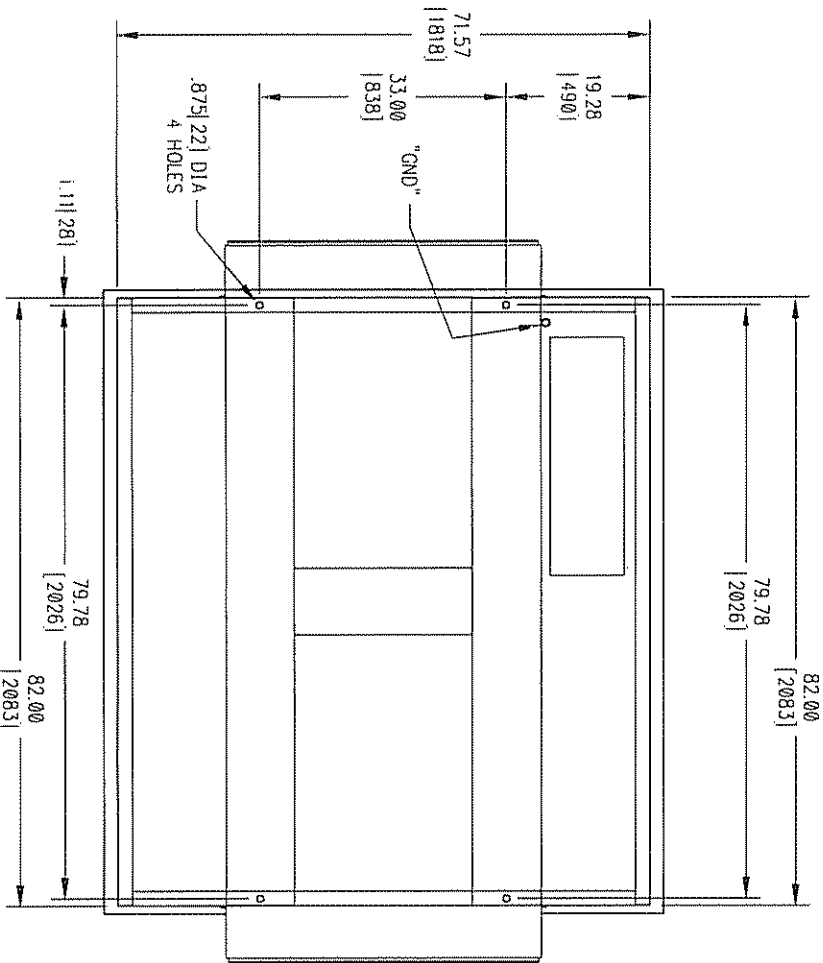
DESIGN NO.	REV	REV	DATE	BY	CHK'D
25551	A	REV	9/5/06	J.FLAUTO	CHK'D
EQ	REV	REV			
NO	LET	LET			

DATE	BY	CHK'D
6-15-06	J.FLAUTO	CHK'D
6/16/06	J.FLAUTO	CHK'D
1/16	P.PIAZZA	CHK'D

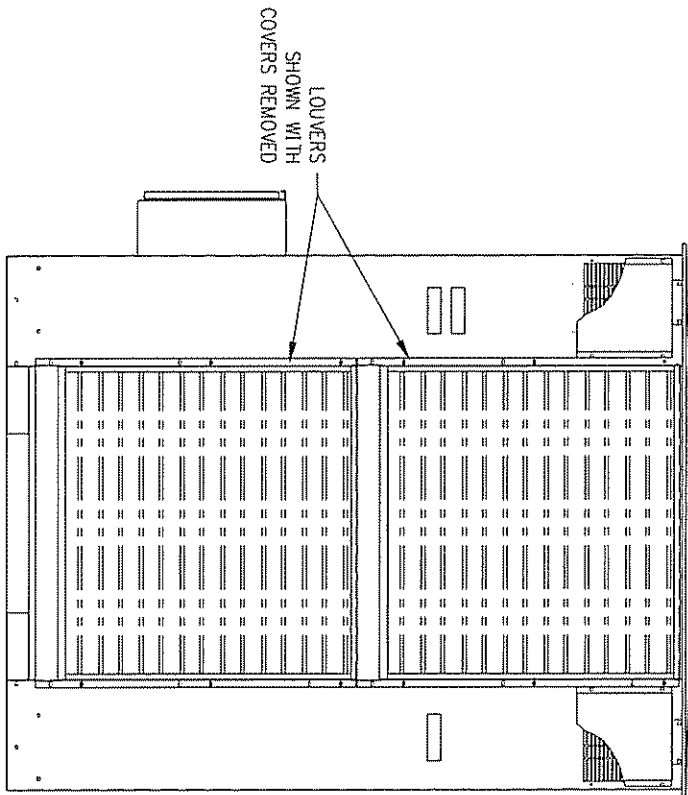
**AVTRON** MANUFACTURING, INC.  
INDEPENDENCE DR.  
LOAD BANK (OUTDOOR)

DRAWING NUMBER: SB3699  
SHEET 1 OF 2  
OUTLINE DRAWING

**FOR APPLICATION ENGINEERING USAGE ONLY**



VIEW A-A



VIEW B-B

FOR APPLICATION ENGINEERING USAGE ONLY

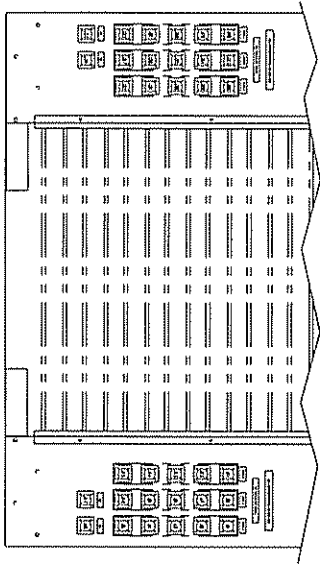
NOTES:

DESIGN	REV	PER	DATE	BY	DATE
1	1	1	1	1	1
NO	REV	CHG	DATE	BY	DATE

THIS DOCUMENT CONTAINS PROPRIETARY INFORMATION OF AVTRON MFG. INC. AND MAY NOT BE DISCLOSED TO OTHERS OR USED FOR MANUFACTURING PURPOSES WITHOUT THE WRITTEN CONSENT OF AVTRON MFG.

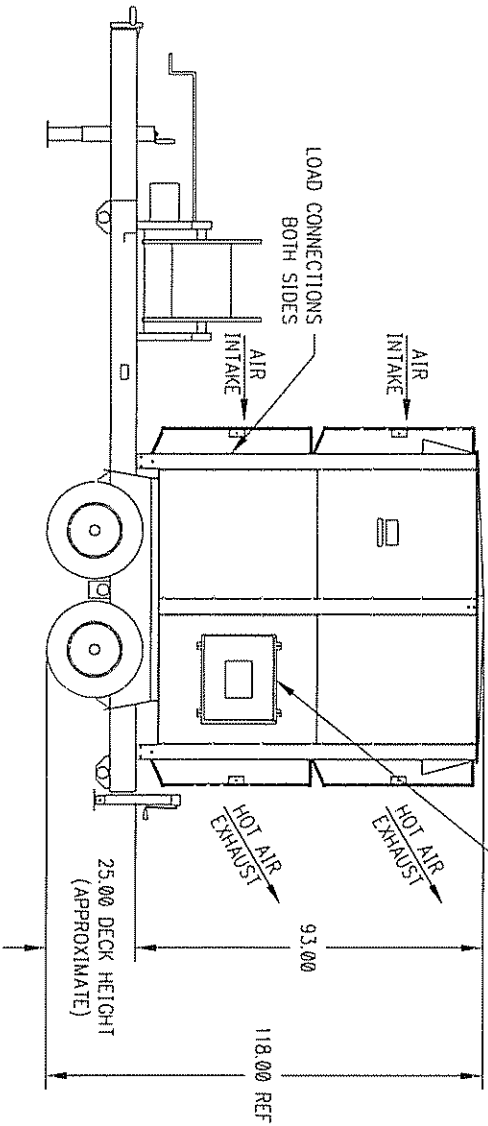
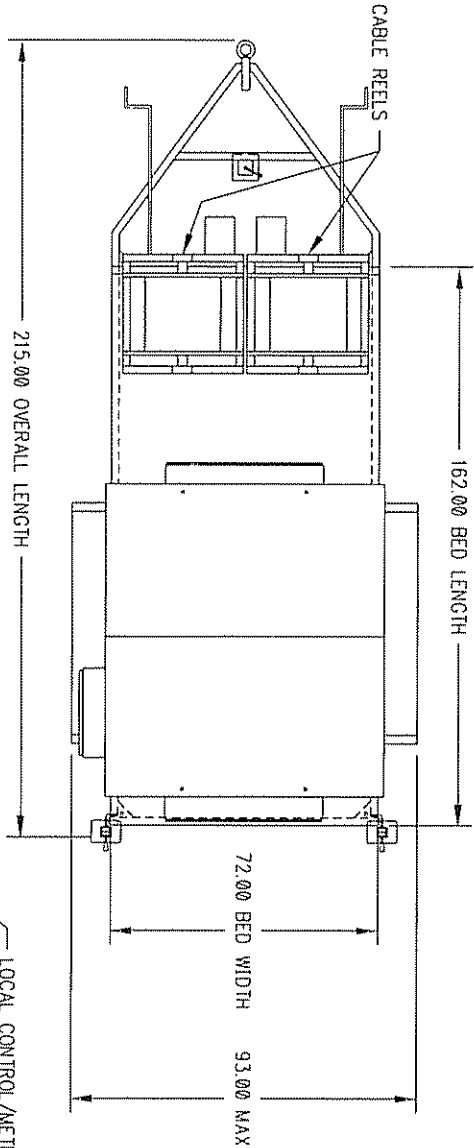
AVTRON MANUFACTURING, INC.  
INDEPENDENCE, OH  
LOAD BANK (OUTDOOR)

DRAWING NUMBER  
SB3699  
SHT 2  
OUTLINE DRAWING



CAM LOK CONNECTION DETAIL

SEE NOTE 9



FOR APPLICATION ENGINEERING USAGE ONLY

9. ALL CAM LOK CONNECTIONS ON BOTH SIDES MUST BE CONNECTED BEFORE APPLYING LOAD.
8. WHEN SURGE BRAKES ARE PROVIDED, REVIEW TRAILER MANUAL PRIOR TO OPERATION.
7. A MINIMUM OF 500 LBS OF CABLE ON REELS OR BALLAST IN THE CABLE REEL AREA IS REQUIRED FOR SAFE TOWING. LESS HITCH WEIGHT WILL CAUSE INSTABILITY.
6. THE FOLLOWING TABLE LISTS THE APPROXIMATE HITCH WEIGHT ACHIEVED BY LOADING CABLE ON THE STORAGE REELS. CAUTION SHOULD BE EXERCISED TO AVOID EXCEEDING THE TOWING VEHICLE'S HITCH CAPACITY.

CABLE WEIGHT LBS	HITCH WEIGHT LBS	% GVM
5000	5300	7%
10000	8000	10%
15000	10500	12%
20000	13000	14%
30000	18000	18%

5. 15000 LBS MAX CABLE STORAGE CAPACITY PER REEL.
4. TRAILER RATING: 10,000 LBS GVWR
3. DIMENSIONS ARE IN INCHES.
2. ALL DIMENSIONS ARE APPROX.
1. WEIGHT: 6800 LBS. WITHOUT CABLES

THIS DOCUMENT CONTAINS PROPRIETARY INFORMATION OF AVTRON MFG. INC. AND MAY NOT BE DISCLOSED TO OTHERS OR USED FOR MANUFACTURING PURPOSES WITHOUT THE WRITTEN CONSENT OF AVTRON MFG.

CS531	A	REV PER EGV	CHANCE	JFL/AUTO	9/2/06	JEDERT	OK'D
NO	REV	EQY	CHANCE	DATE	BY	CHK'D	

DRAWN	JFL/AUTO	DATE	6-15-06
CHECKED	JFL/AUTO	DATE	6/16/06
APPROVED	P. PIAZZA	SCALE	NONE

**AVTRON** MANUFACTURING, INC.  
 TRAILER MOUNTED  
 LOAD BANK SYSTEM

BRANDING NUMBER: SB3698  
 SHT 1 OF 1  
 OUTLINE DRAWING