

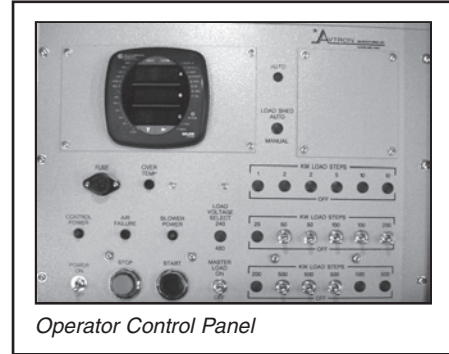


6255 HALLE DRIVE, CLEVELAND, OH, U.S.A. 44125
(1) 216-573-7600 • FAX: (1) 216-573-5953

HIGH CAPACITY TRAILER READY RESISTIVE LOAD BANK

2000 to 2500 KW

MODEL K580HC



Operator Control Panel

QUALITY SYSTEM CERTIFIED TO
ISO 9001

*Shown with optional trailer, load cable and cable reels.

- High Capacity in a Single Package
- Optional Heavy Duty Dual Axle Trailer Available
- Quick Disconnect Connectors Included
- Convenient Operator Controls with Digital Metering and Data Logging Software Included
- Legendary Avtron Quality

T

he Avtron Model K580 High Capacity (HC) load bank is designed for very high power testing of large diesel generating systems, Uninterruptible Power Supplies (UPS), engine generator sets or turbines.

Previously, trailer mounted load banks were limited to about 1250 KW maximum. The extra high capacity of the K580HC load bank in a single mobile package eliminates the need to transport multiple load banks to a job site, saving both time and money.

The new standard in Digital Metering includes the Avtron Advanced Digital Monitoring System (ADMS™). The ADMS meter provides faceplate Digital display of Volts, Amps, Frequency, and Power measurements. The Communicator EXT™ Data Logging Software allows real-time data acquisition and trending of all meter parameters from your Laptop PC or PDA. An Infrared/USB interface cable is included for "Plug and Play" convenience.

Legendary Avtron quality combined with simple operation and maintenance will provide years of trouble free service.

The Model K580HC trailer mounted load bank is ideal for high power mobile testing of AC generating systems at multiple sites.

Avtron's extensive line of Load Bank and Industrial Resistor Products are solid performers used throughout the world.

For total technical support or additional information, please contact Avtron at (216) 573-7600 or LBsales@avtron.com.

K580HC LOAD CAPACITY RATINGS

Model	Total Load KW	Voltage	Minimum Load Step Resolution
K580HC - 2000	2000/1000	2000KW at 480VAC and 1000KW at 240VAC 3PH, 60Hz	5
K580HC - 2500	2500	480 VAC, 3 PH, 60 Hz	50

Other voltages and KW ratings are available. Consult factory.

K580HC SPECIFICATIONS

CONSTRUCTION: The load bank enclosure is made of heavy gauge aluminized steel with polyurethane enamel paint. Horizontal airflow with 45° louvers directs hot exhaust air away from ground level and provides extra safety in an outdoor environment. The optional trailer features heavy duty welded construction with steel deck, dual axles, leaf spring suspension, 10,000 lbs. GVW, DOT approved. Electric brakes, 3" adjustable lunette eye, safety chains, and stabilizer jacks are provided.

RESISTOR ELEMENTS: The resistive elements are designed by Avtron and manufactured of a corrosion resistant chromium alloy wire. Resistive elements are fully supported over their entire length with stainless steel rods for improved operating life.

CONTROLS: The controls and digital metering are housed in a single NEMA enclosure including a POWER ON-OFF switch, a POWER ON light, FAN ON-OFF pushbuttons with a FAN FAILURE light, OVERTEMPERATURE light, MASTER LOAD ON-OFF switch, PHASE ROTATION switch, and individual load step toggle switches.

DIGITAL METERING: The Avtron Advanced Digital Monitoring System (ADMS™) is provided for display of Volts, Amps, Frequency, and KW. ADMS™ also includes Communicator EXT™ Data logging Software.

COOLING: The resistive elements are air cooled by multiple self-contained 10 or 15 HP fans rated at 460 volts, 3-phase, 60 Hz or 230/460V for dual voltage models. No additional cooling period is required when load is removed.

SAFETY CIRCUITS: The K580HC load bank features branch circuit fusing on all load steps. Motor overload protection, overtemperature protection, and cooling air loss protection are also provided.

WEIGHT: 4000 - 4500 pounds (depending on rating).

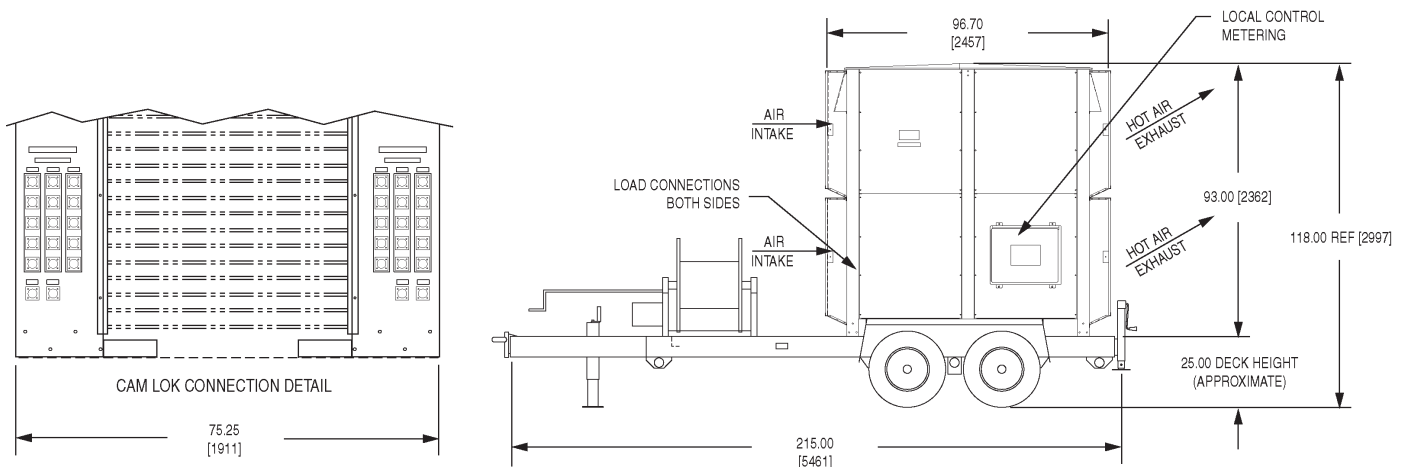
STANDARD FEATURES:

- Local metering and control panel with enclosure
- Quick disconnect receptacles.
- Control Power Transformer rated 480 Volts to 120 Volts, 1-Phase, 60 Hz for single voltage units and 240/480 Volts to 120 Volts, 1-Phase, 60 Hz for dual voltage units

OPTIONAL FEATURES:

- Heavy Duty Trailer
- Hydraulic Surge Brakes
- Cable Storage Reels
- Cable Storage Box

NOTE: Refer to Operation and Maintenance Manual for safe towing instructions.



Shown with optional trailer and cable reels.

ADMS™ is a trademark of Avtron.
Communicator EXT™ is a trademark of Electro Industries/GaugeTech.

All dimensions are in inches [millimeters].
Specifications subject to change without notice.
Printed in U.S.A. Rev. A



6255 HALLE DRIVE, CLEVELAND, OH, U.S.A. 44125 • (1) 216-573-7600 • FAX: (1) 216-573-5953

E-MAIL: LBsales@avtron.com • HOME PAGE: www.load-bank.com